

TENU 975 349 8880 Intermittent Wiper Relay implements intermittent wiping and wipe-wash functions on KARSAN J9 vehicles.

Wiper motors can draw excessive currents due to snow load in winter. TENU wiper relays include an internal relay able to withstand such high currents.

Continuous operation of wipers is independent of wiper relay.



Features

- 6 seconds interval in intermittent mode
- 3 successive wiper operations after windscreen washer operation (wipe-wash)
- Steel mounting bracket

Intermittent Operation

When the wiper lever is brought to intermittent position, wipers operate one time and stop. If the lever is left in the same positions, wipers keep running with 6 seconds intervals. If intermittent operation is switched off and back on immediately, wipers start running again without delay.

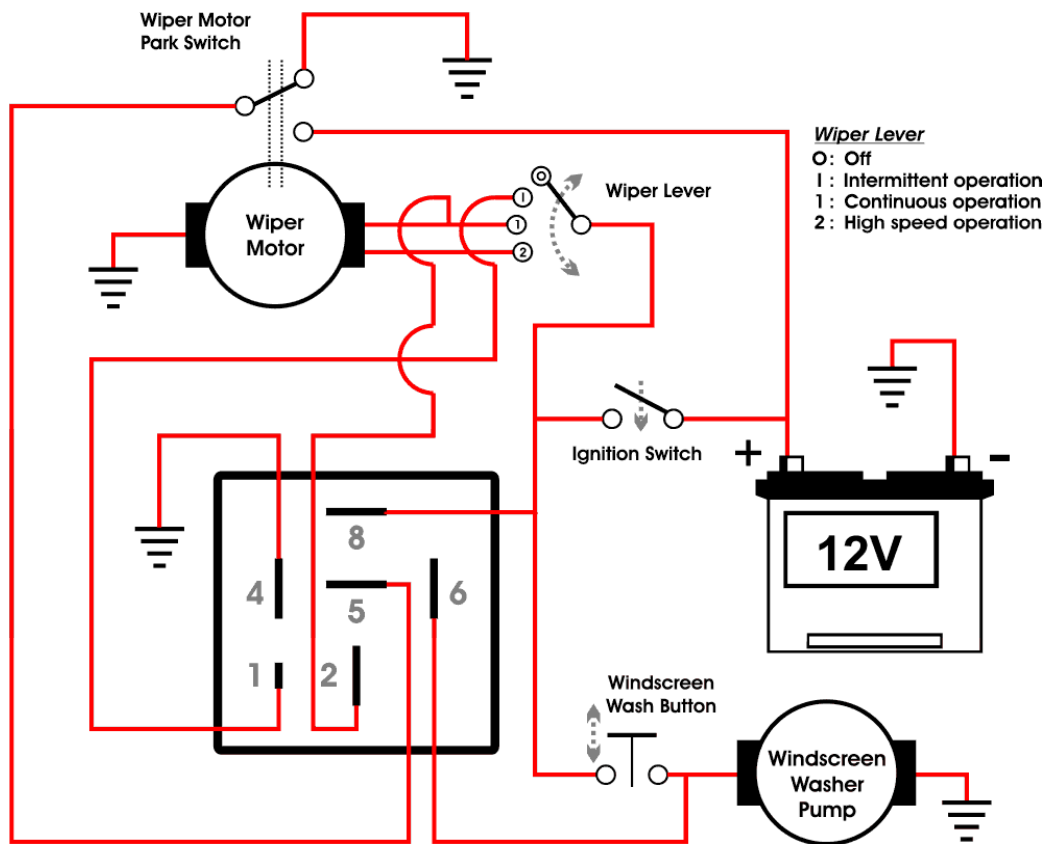
Windscreen Washing

At any point of operation, if the windscreen washer is run, wipers operate 3 times successively after windscreen washer button is released.

Electrical Connections

1	+12V from wiper lever at intermittent position	0,80 x 2,80 male blade terminal
2	+12V relay output to wiper motor winding	0,80 x 6,40 male blade terminal
4	Chassis, battery negative	0,80 x 6,40 male blade terminal
5	12V positive or negative input from wiper motor park switch	0,80 x 6,40 male blade terminal
6	+12V from washer pump button	0,80 x 6,40 male blade terminal
8	+12V from ignition switch	0,80 x 6,40 male blade terminal

Connection Diagram



Operation Conditions

	<i>Minimum</i>	<i>Average</i>	<i>Maximum</i>	<i>Unit</i>
Voltage	10	-	15	V
Current output	-	-	15	A
Temperature	-30	-	85	°C
Interval	5,4	6	6,6	Seconds

Dimensions (mm)

