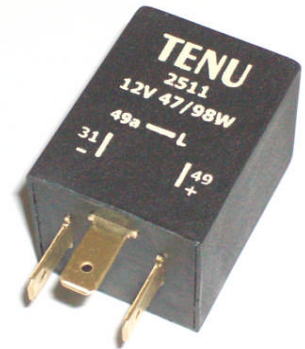


TENU 3-Terminal Turn Signal Flasher operates turn signals, hazard warnings and dashboard indicator lamps on vehicles with Bosch type flashers with similar terminal connection layouts.

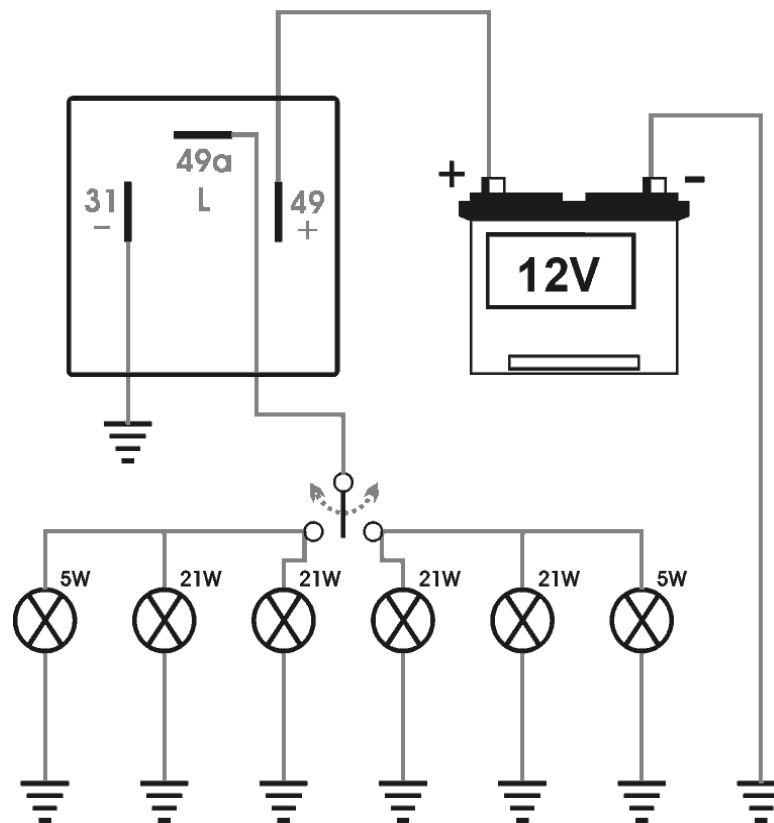
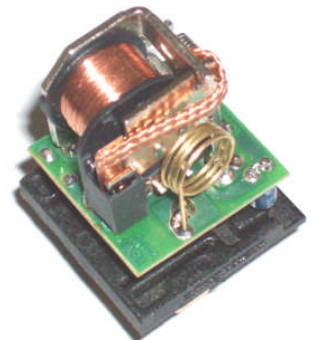
Features

- Lamp fault warning by double-speed operation
- Long life 30A relay output



Electrical Connections

+ (49)	+12V From battery	0,80 x 6,40 male blade terminal
- (31)	Chassis	0,80 x 6,40 male blade terminal
L (49a)	+12V flasher output to turn signals	0,80 x 6,40 male blade terminal



Operation Conditions

	<i>Minimum</i>	<i>Average</i>	<i>Maximum</i>	<i>Unit</i>
Voltage	10	-	15	V
Current output	-	-	30	A
Temperature	-30	-	85	°C

Dimensions (mm)

