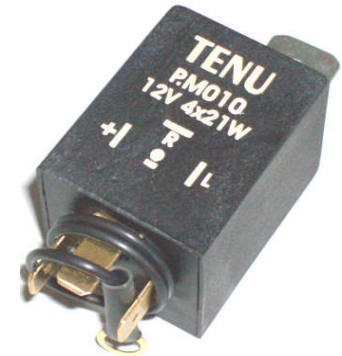


TENU J9 Turn Signal Flasher with Cabled Negative operates turn signals, hazard warnings and dashboard indicator lamps on KARSAN J9 vehicles.

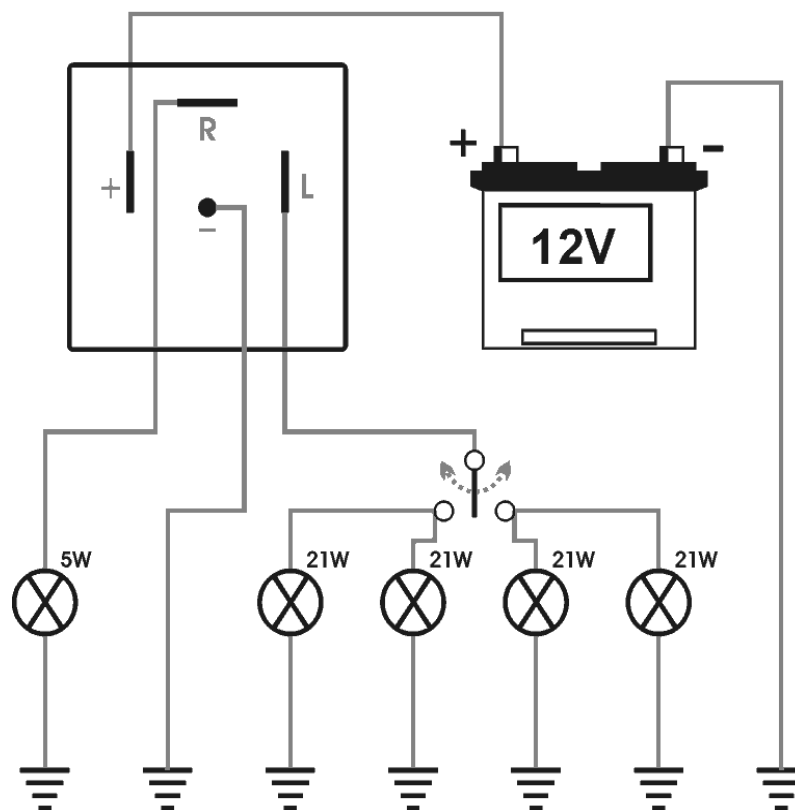
Features

- Fault warning by double-speed operation
- Steel mounting bracket
- 15 cm Chassis cable for battery negative input



Electrical Connections

+	+12V From battery	0,80 x 6,40 male blade terminal
-	Chassis	Cable
L	+12V flasher output to turn signals	0,80 x 6,40 male blade terminal
R	+12V flasher output to dashboard indicator lamps	0,80 x 6,40 male blade terminal



Operation Conditions

	<i>Minimum</i>	<i>Average</i>	<i>Maximum</i>	<i>Unit</i>
Voltage	10	-	15	V
Current output	-	-	30	A
Temperature	-30	-	85	°C

Dimensions (mm)

